

# NEOGATE TE 100/200



NeoGate TE100/200 offers SMBs cost effective additions to legacy telephone systems to bring the true benefits of VoIP. TE100/200 is a single or dual port VoIP E1/T1/J1 gateway (VoIP to E1/T1/J1, and E1/T1/J1 to VoIP) that supports up to 30 or 60 concurrent calls. It's designed to bridge the gap between E1/T1/J1 and VoIP networks. Integrating TE100/200 into an existing network will allow inexpensive communication via SIP trunking. Also, it could connect VoIP systems with E1/T1/J1 service from legacy carriers.

## Specifications

- E1/T1/J1 port: 1/2 (Support PRI, MFC R2, SS7)
- Protocol: SIP(RFC3261)
- DTMF: RFC2833, SIP Info, In-band.
- Codec: G711a, G711u, G.722, G.726, G.729a, GSM, Speex, ADPCM
- TE100 Ethernet interfaces:
  - 1 10/100 Mbps LAN
  - 1 10/100 Mbps WAN
- TE200 Ethernet interfaces:
  - 1 10/100/1000 Mbps LAN
  - 1 10/100/1000 Mbps WAN
- Size: 213x160x44 mm
- Weight: 1.2 kg
- Power: AC 100-240V, 50-60HZ

## Features

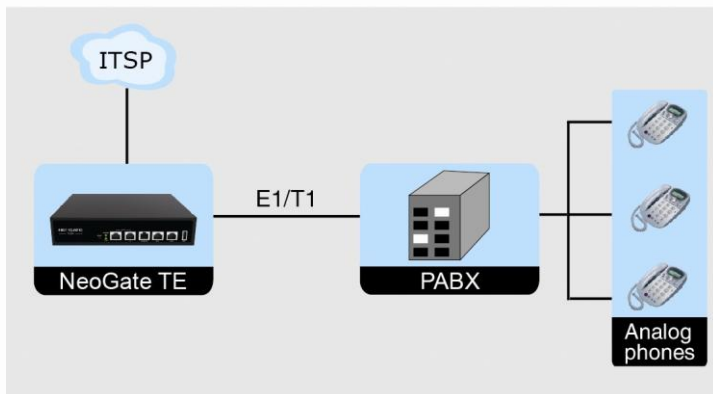
- Trunk support
- Call routing rules
- Automatic appending and stripping of digits to dialed numbers
- Caller ID name and number support
- FAX support
- Blacklist
- Firewall
- DDNS Support
- Backup and Restore

## Benefits

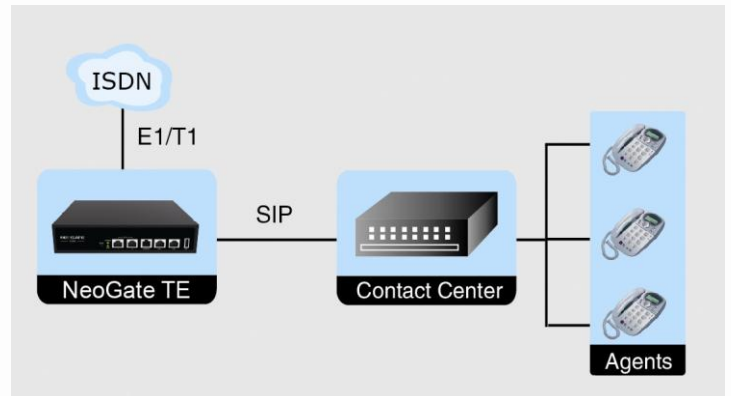
- Cost-effective call routing rules
- Easy-to-navigate GUI
- Simple installation
- Easy to integrate
- Low power consumption for your green office

# NeoGate TE Solutions

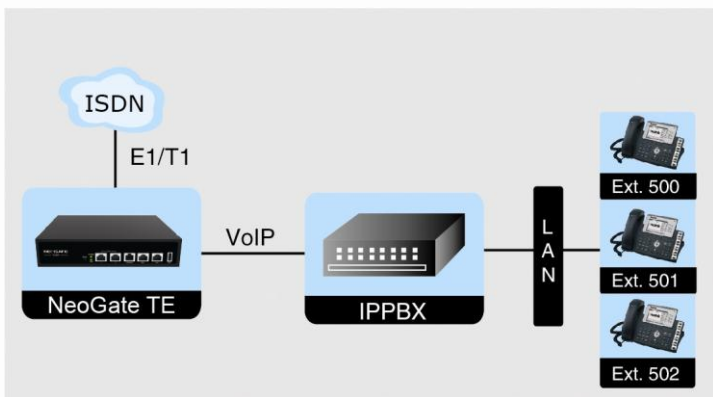
Connect legacy PBX systems to VoIP service



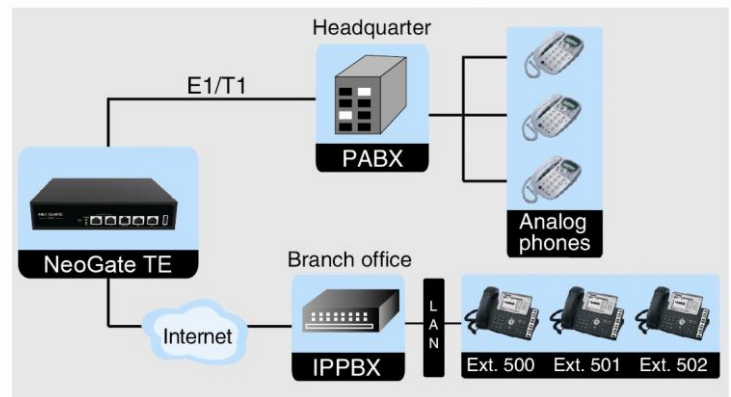
NeoGate Solution for Contact Center



Connect IP-PBX to ISDN



Connect legacy PBX to IP-PBX at the branch office



Interconnect multiple PABX to realize free inter-office calls

